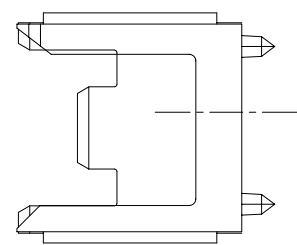
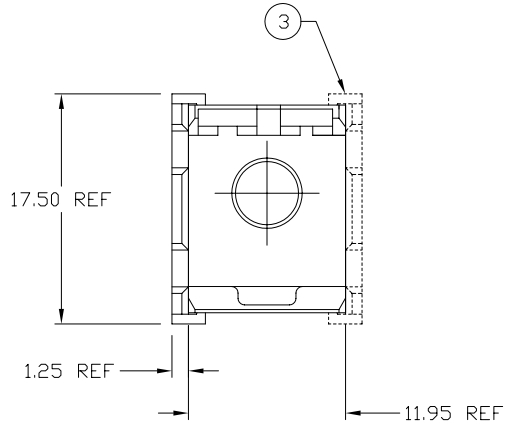


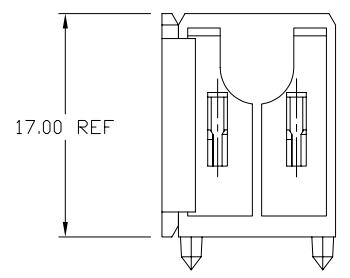
PRODUCT NUMBER	STATUS	APPLICATION	NOTES
73996-001	OBSOLETE	5 ROW HEADER	7,8
73996-002	ACTIVE (SEE SHT 1)	4 ROW SHROUD	
73996-011	ACTIVE (SEE SHT 2)	5 ROW HEADER	
73996-012	ACTIVE (SEE SHT 3)	5 ROW THICK CARD HEADER	
73996-013	ACTIVE (SEE SHT 4)	5 ROW HEADER (CUSTOMER SPECIAL)	

⑥ -002 CAN BE APPLIED TO:	
HYBRID HEADER HOUSING P/N	SHROUD P/N
88911	70203
88913	89028



73996-002

- NOTES
- 1-MATERIAL-NYLON 30% GLASS-FILLED FLAME RETARDANT ACC. UL 94-V0 COLOR-NATURAL
  - 2-SHOWN WITH, A METRAL 4-ROW, 88911-101, 12MM HYBRID HEADER HOUSING, WHICH MUST BE ORDERED SEPARATELY.
  - ③-END WALL CAN BE USED ON EITHER SIDE OF HEADER
  - 4-ENDWALL CAN ALSO BE USED WITH STANDARD METRAL 4-ROW SHROUDS
  - 5-REFERENCE PRODUCT SPEC GS-12-199.
  - ⑥-THIS TABLE IS NOT A COMPLETE LISTING BUT REPRESENTS APPLICABLE PRODUCT OFFERINGS. FOR OTHER PRODUCT OFFERINGS, CONTACT YOUR LOCAL FCI OFFICE.
  - ⑦-ADD "LF" SUFFIX AT THE END OF PART NUMBER FOR LEAD FREE OPTION.
  - ⑧-THIS PRODUCT MEETS EUROPEAN UNION DIRECTIVES AND OTHER COUNTRY REGULATION AS DESCRIBED IN GS-22-008.
  - 9-THE HOUSING WILL WITHSTAND EXPOSURE TO 260°C PEAK TEMPERATURE FOR 15 SECONDS IN A WAVE SOLDER APPLICATION WITH A 1.5mm MINIMUM THICK CIRCUIT BOARD. SEE APPLICATION NOTES/PROCEDURES IF THEY ARE AVAILABLE.



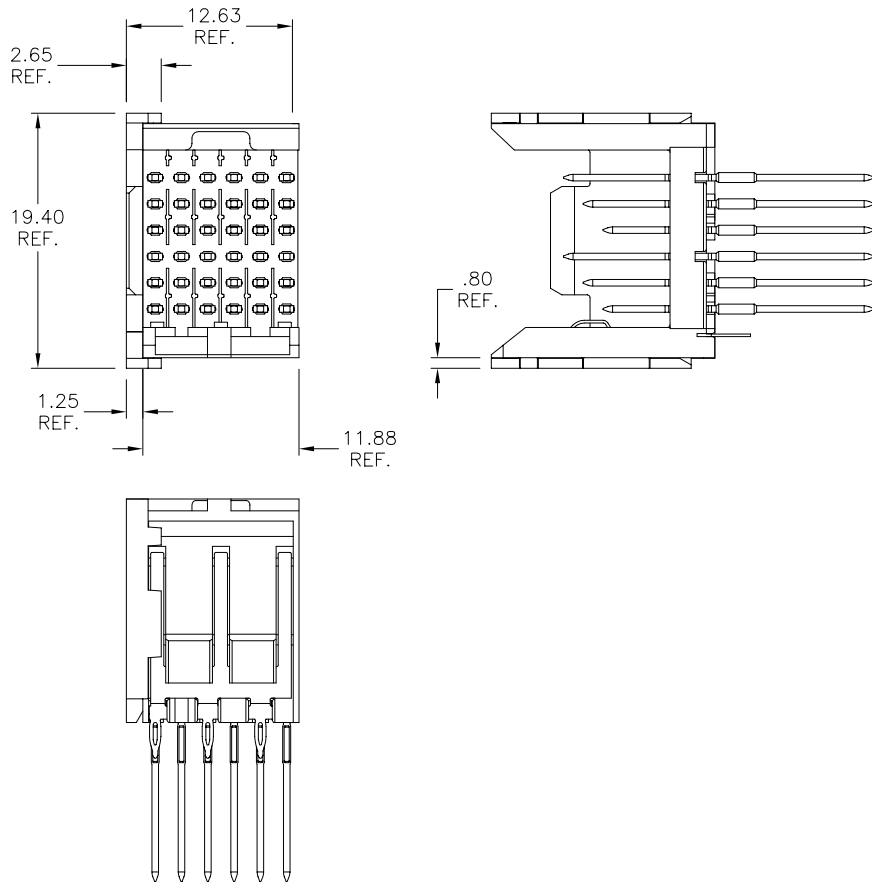
mat'l. code		surface ISO 1302 ✓		tolerance ISO 406 ISO 1101		projection MM		product family METRAL ACC.	
ltr		ecn no		date		tolerances unless otherwise specified		title	
A	V80952	GCR	6/3/98					HEADER/SHROUD END WALL	
B	V02723	JRV	11/2/00	angles	linear			scale 1:1	
C	V02783	JWS	11/29/00					dwg no	
D	V11167	RPM	4/9/01	dr	C.DAILY	12/18/01	sheet 1 of 3		size
E	V12829	CGD	12/18/01	enr	B.MATTHEWS	12/18/01	73996		A3
F	M06-0353	MHT	9/06/06	chr	B.MATTHEWS	12/18/01	type		Product Customer Drawing
sheet index		revision		F	F	F			
		sheet		1	2	3			



Copyright FCI

PRODUCT NUMBER	APPLICATION
73996-011	5 ROW HEADER & SHROUD

⑥ -011 CAN BE APPLIED TO:	
HEADER P/N	SHROUD P/N
55406	52000
73983	73475
74977	73993
84817	74773
85834	84621
85854	84818
89006	89055
89007	98161
89008	-
89009	-
89099	-



- NOTES
- 1-MATERIAL-NYLON 30% GLASS-FILLED  
FLAME RETARDANT ACC. UL 94-VO  
COLOR-NATURAL
  - 2-SHOWN WITH, A METRAL 1000 5-ROW, 12MM HEADER,  
WHICH MUST BE ORDERED SEPARATELY
  - 3-END WALL CAN BE USED ON EITHER SIDE OF HEADER
  - 4-ENDWALL CAN ALSO BE USED WITH STANDARD METRAL  
5-ROW HEADERS & SHROUDS
  - 5-REFERENCE PRODUCT SPEC GS-12-199.
  - ⑥ THIS TABLE IS NOT A COMPLETE LISTING BUT  
REPRESENTS APPLICABLE PRODUCT OFFERINGS.  
FOR OTHER PRODUCT OFFERINGS, CONTACT YOUR  
LOCAL FCJ OFFICE.

73996-011

mat'l. code		surface ISO 1302 ✓		tolerance ISO 406 ISO 1101		projection MM		product family METRAL ACC.		
ltr	ecn	no	dr	date		tolerances unless otherwise specified		title		
F				angles	linear	scale 1:1		HEADER/SHROUD END WALL		
sheet index		revision sheet		dr	C.DAILY	12/18/01	FCJ		dwg no	sheet 2 of 3 size
				enrg	B.MATTHEWS	12/18/01			73996	A3
				chr	B.MATTHEWS	12/18/01			type Product Customer Drawing	
				appd	B.MATTHEWS	12/18/01				



FCJconnect.com

Copyright FCJ

